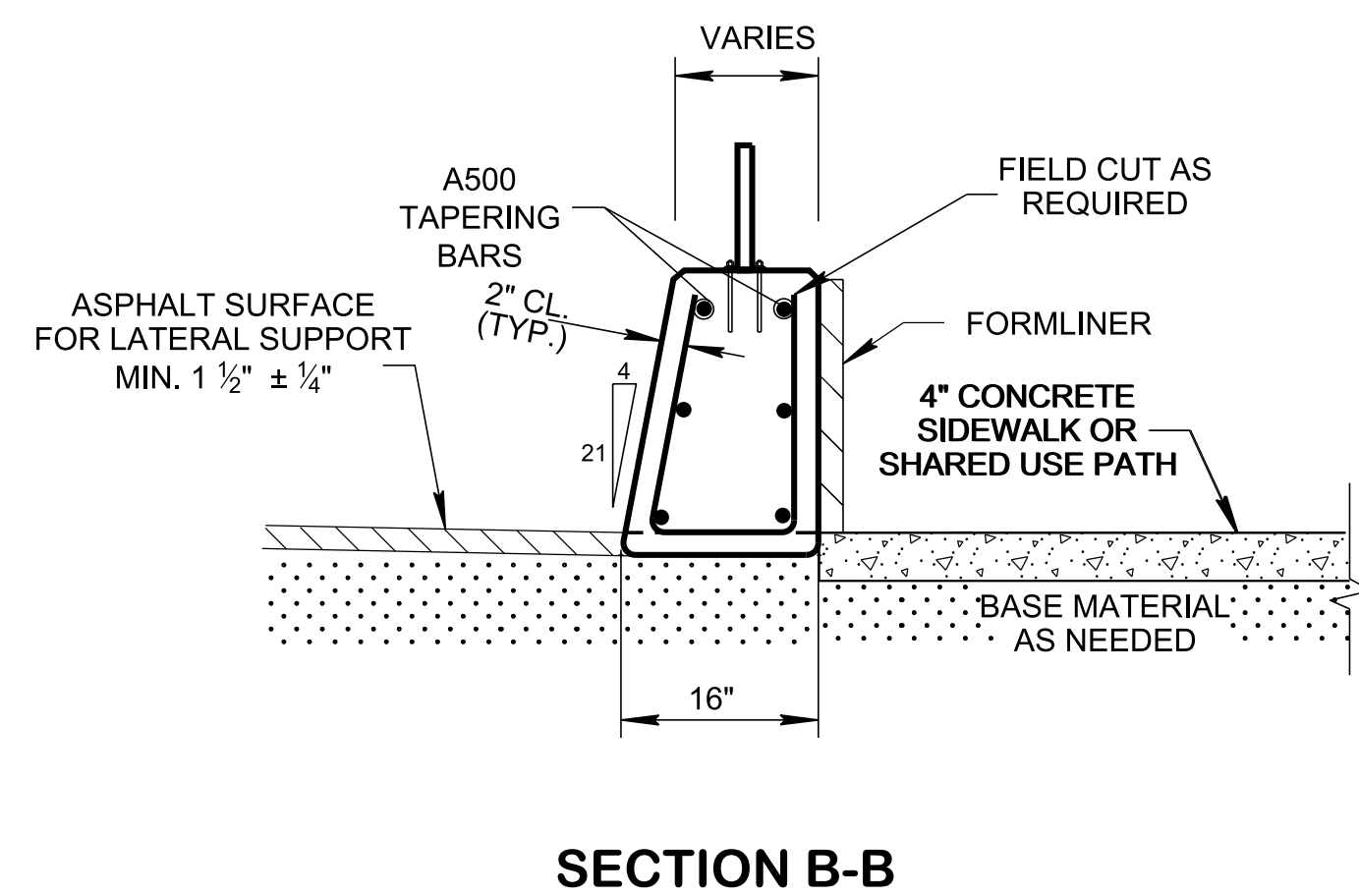
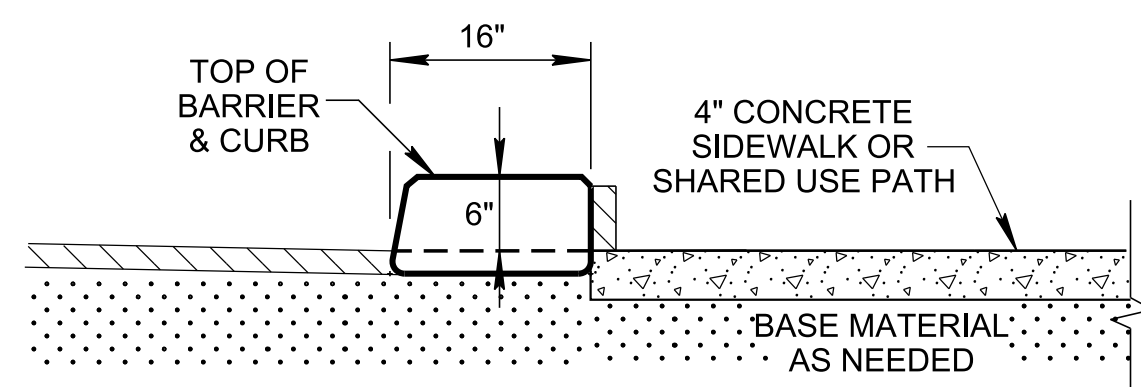


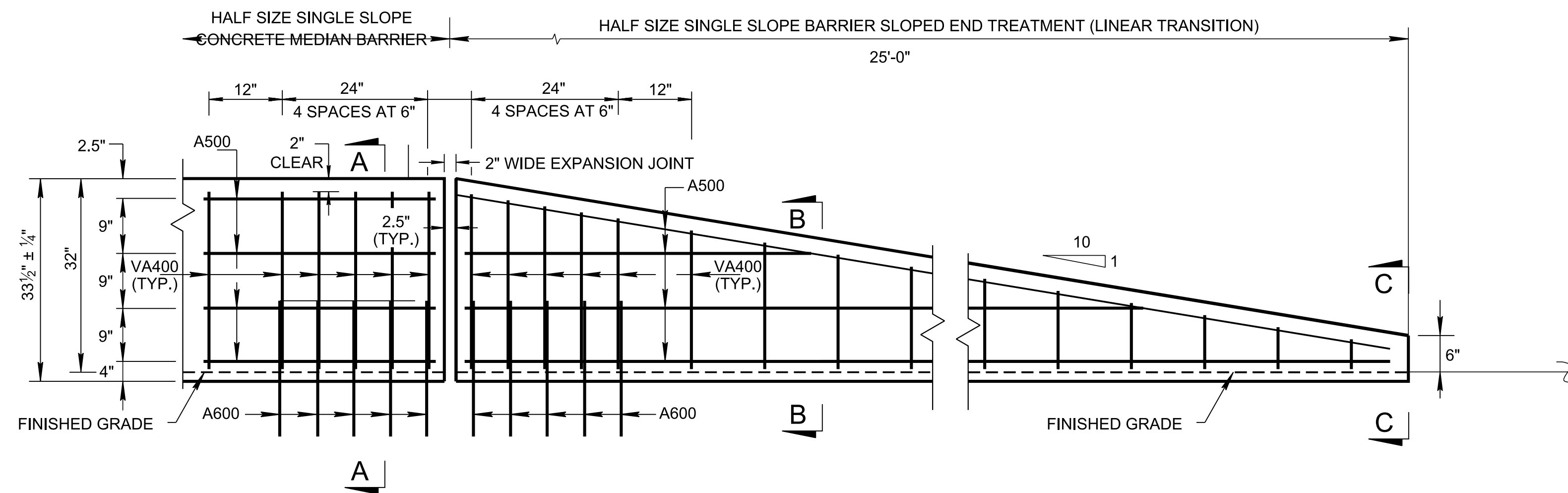
**SECTION A-A  
BEGIN TRANSITION**



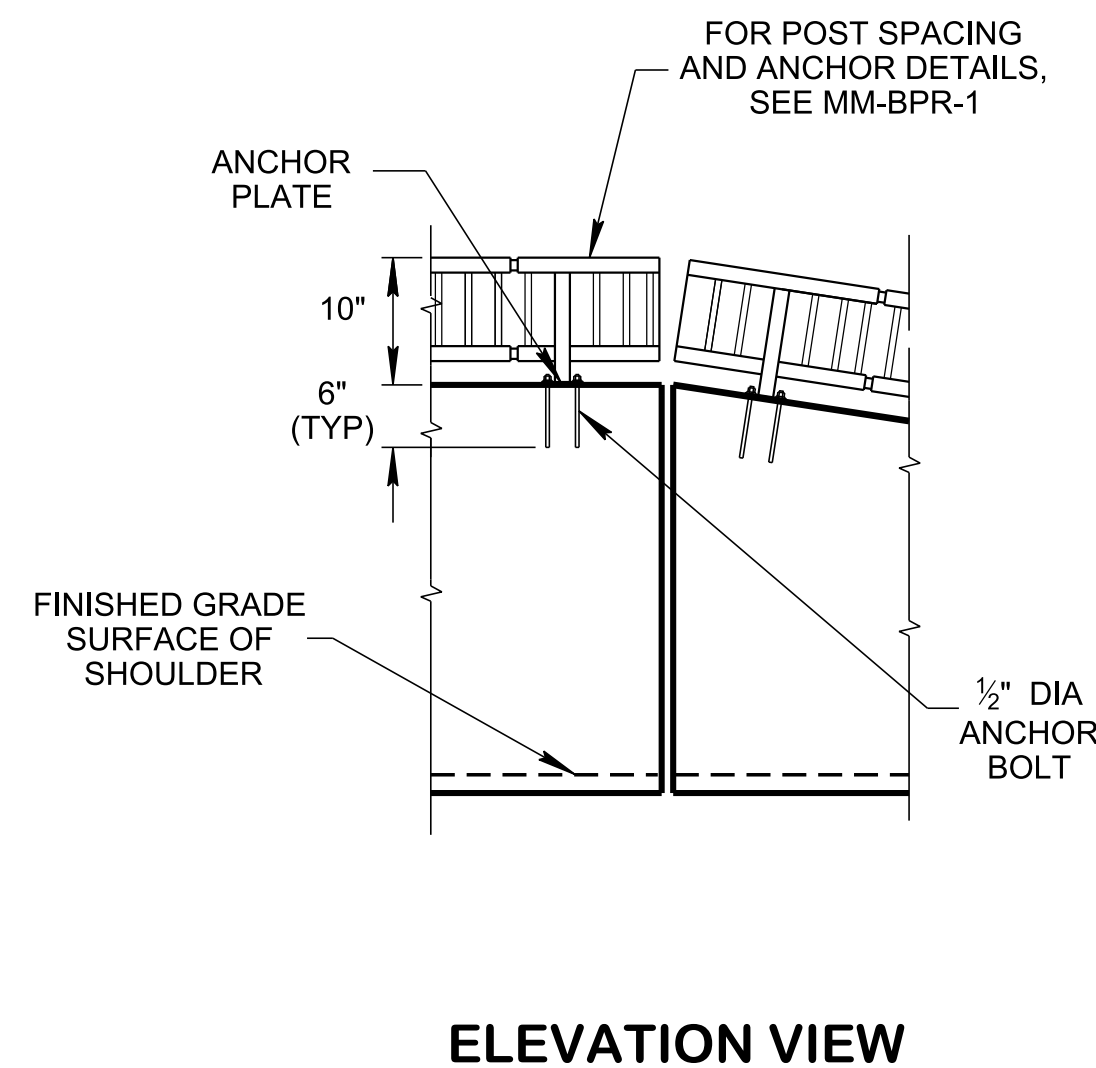
**SECTION B-B**



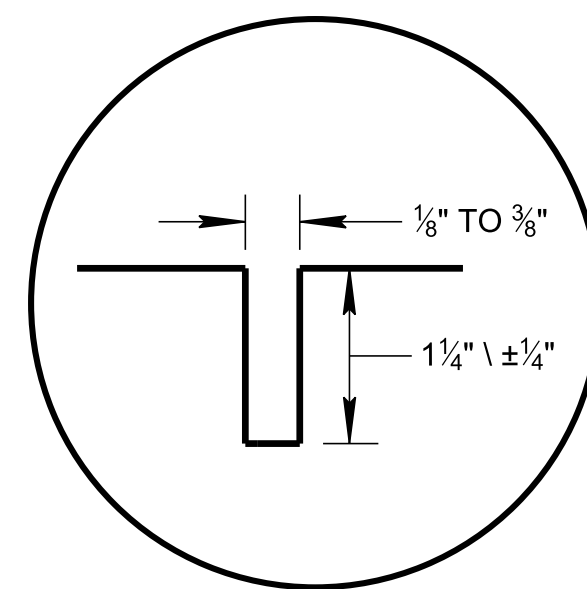
**SECTION C-C  
END TRANSITION**



**ELEVATION  
DETAILS OF REINFORCING AT EXPANSION JOINT**



**ELEVATION VIEW**



**CONTRACTION JOINT  
DETAIL**

STATE OF TENNESSEE  
STANDARD  
DRAWING  
DEPARTMENT OF TRANSPORTATION

32" HALF SIZE  
SINGLE SLOPE  
BIKE & PEDESTRIAN  
MEDIAN BARRIER  
WALL